

BAXI FIRES DIVISION

FASCIA BRACKET ADDENDUM

This addendum must be read in conjunction with the installer and owner guide supplied with the heater.

This addendum is for the Model 828 Electric Heater fitted with the Bolero, Carma, Decadent, Dream, Eternal, Obsession and Victorian fascias, and the Model 823 fitted with Knightsbridge and Westminster fascias.

1. As supplied the fascia support brackets for the above models may be flat against the heater body. Using a suitable tool or gloved hand bend the brackets as in figure 1.

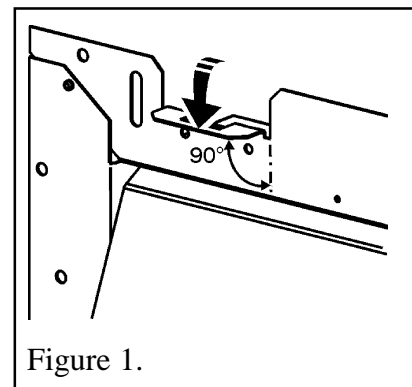


Figure 1.

BAXI ● VALOR ● WONDERFIRE

© Baxi Heating U.K. Limited 2006.

BAXI FIRES DIVISION

FASCIA BRACKET ADDENDUM

This addendum must be read in conjunction with the installer and owner guide supplied with the heater.

This addendum is for the Model 828 Electric Heater fitted with the Bolero, Carma, Decadent, Dream, Eternal, Obsession and Victorian fascias, and the Model 823 fitted with Knightsbridge and Westminster fascias.

1. As supplied the fascia support brackets for the above models may be flat against the heater body. Using a suitable tool or gloved hand bend the brackets as in figure 1.

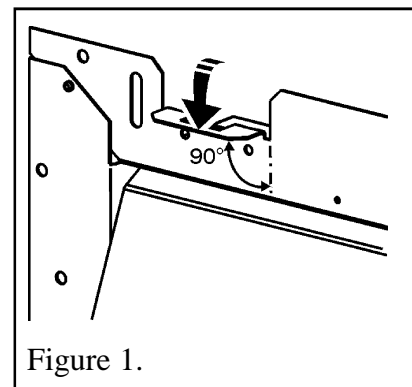


Figure 1.

BAXI ● VALOR ● WONDERFIRE

© Baxi Heating U.K. Limited 2006.